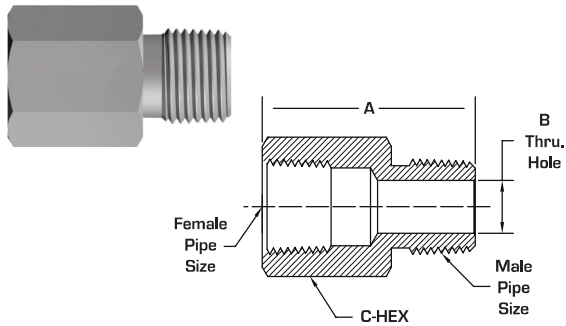


1FMA, 1FPC, 1FPRU

1FMA

Female to Male Adapter

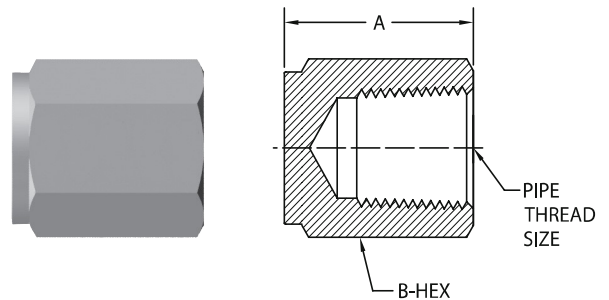


Part No.	Female Pipe Size	Male Pipe Size	A	B Thru Hole	C Hex
2-1FMA	1/8	1/8	1.062	.187	9/16
4-1FMA	1/4	1/4	1.375	.281	3/4
6-1FMA	3/8	3/8	1.562	.375	7/8
8-1FMA	1/2	1/2	1.906	.468	1-1/16
12-1FMA	3/4	3/4	1.937	.625	1-5/16
16-1FMA	1	1	2.281	.875	1-5/8

Part No.	Pipe Thread Size	A	B Hex
2-1FPC	1/8	.750	9/16
4-1FPC	1/4	.906	3/4
6-1FPC	3/8	1.031	7/8
8-1FPC	1/2	1.343	1-1/16
12-1FPC	3/4	1.437	1-5/16
16-1FPC	1	1.625	1-5/8

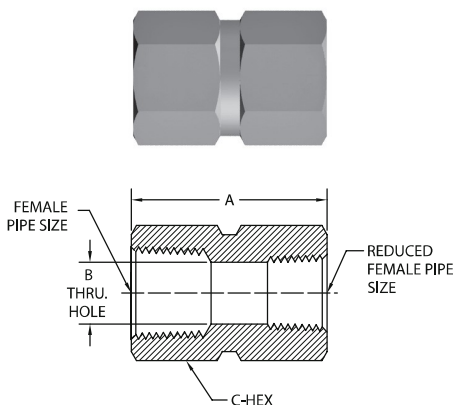
1FPC

Female Pipe Cap



1FPRU

Female Pipe Reducer Union



Part No.	Female Pipe Size	Reduced Female Pipe Size	A	B Thru Hole	C Hex
4-1FPRU-2	1/4	1/8	1.218	.328	3/4
6-1FPRU-4	3/8	1/4	1.375	.421	7/8
8-1FPRU-2	1/2	1/8	1.562	.328	1-1/16
8-1FPRU-4	1/2	1/4	1.750	.421	1-1/16
8-1FPRU-6	1/2	3/8	1.781	.562	1-1/16
12-1FPRU-4	3/4	1/4	1.812	.421	1-5/16
12-1FPRU-8	3/4	1/2	2.062	.687	1-5/16
16-1FPRU-8	1	1/2	2.187	.687	1-5/8
16-1FPRU-12	1	3/4	2.250	.890	1-5/8